

CMKD6001

**SURFACE MOUNT  
TRIPLE ISOLATED  
ULTRA LOW LEAKAGE  
SILICON SWITCHING DIODES**



[www.centrasemi.com](http://www.centrasemi.com)

ULTRAm<sup>TM</sup>ini



SOT-363 CASE

**DESCRIPTION:**

The CENTRAL SEMICONDUCTOR CMKD6001 type contains three (3) Isolated Silicon Switching Diodes, manufactured by the epitaxial planar process, epoxy molded in a ULTRAm<sup>TM</sup>ini surface mount package, designed for switching applications requiring extremely low leakage.

**MARKING CODE: K01**

**MAXIMUM RATINGS:** (T<sub>A</sub>=25°C)

Continuous Reverse Voltage  
Peak Repetitive Reverse Voltage  
Continuous Forward Current  
Peak Repetitive Forward Current  
Peak Forward Surge Current, t<sub>p</sub>=1.0μs  
Peak Forward Surge Current, t<sub>p</sub>=1.0s  
Power Dissipation  
Operating and Storage Junction Temperature  
Thermal Resistance

**SYMBOL**

V<sub>R</sub> 75  
V<sub>R</sub>RM 100  
I<sub>F</sub> 250  
I<sub>F</sub>RM 500  
I<sub>F</sub>SM 4.0  
I<sub>F</sub>SM 1.0  
P<sub>D</sub> 250  
T<sub>J</sub>, T<sub>stg</sub> -65 to +150  
θ<sub>JA</sub> 500

**UNITS**

V  
V  
mA  
mA  
A  
A  
mW  
°C  
°C/W

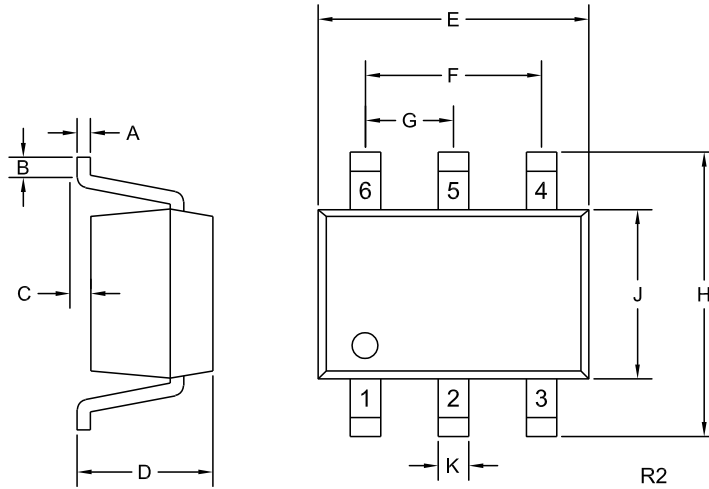
**ELECTRICAL CHARACTERISTICS PER DIODE:** (T<sub>A</sub>=25°C unless otherwise noted)

SYMBOL	TEST CONDITIONS	MIN	MAX	UNITS
I <sub>R</sub>	V <sub>R</sub> =75V		500	pA
BV <sub>R</sub>	I <sub>R</sub> =100μA	100		V
V <sub>F</sub>	I <sub>F</sub> =1.0mA		0.85	V
V <sub>F</sub>	I <sub>F</sub> =10mA		0.95	V
V <sub>F</sub>	I <sub>F</sub> =100mA		1.1	V
C <sub>T</sub>	V <sub>R</sub> =0, f=1.0MHz		2.0	pF
t <sub>rr</sub>	I <sub>R</sub> =I <sub>F</sub> =10mA, I <sub>rr</sub> =1.0mA, R <sub>L</sub> =100Ω		3.0	μs

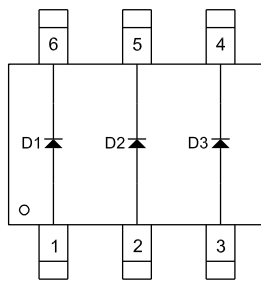
**CMKD6001**  
**SURFACE MOUNT**  
**TRIPLE ISOLATED**  
**ULTRA LOW LEAKAGE**  
**SILICON SWITCHING DIODES**



**SOT-363 CASE - MECHANICAL OUTLINE**



**PIN CONFIGURATION**



SYMBOL	INCHES		MILLIMETERS	
	MIN	MAX	MIN	MAX
A	0.004	0.010	0.10	0.25
B	0.005	-	0.12	-
C	0.000	0.004	0.00	0.10
D	0.031	0.043	0.80	1.10
E	0.071	0.087	1.80	2.20
F	0.051		1.30	
G	0.026		0.65	
H	0.075	0.091	1.90	2.30
J	0.043	0.055	1.10	1.40
K	0.006	0.012	0.15	0.30

SOT-363 (REV: R2)

**LEAD CODE:**

- 1) Anode D1
- 2) Anode D2
- 3) Anode D3
- 4) Cathode D3
- 5) Cathode D2
- 6) Cathode D1

**MARKING CODE: K01**

R5 (9-May 2011)